

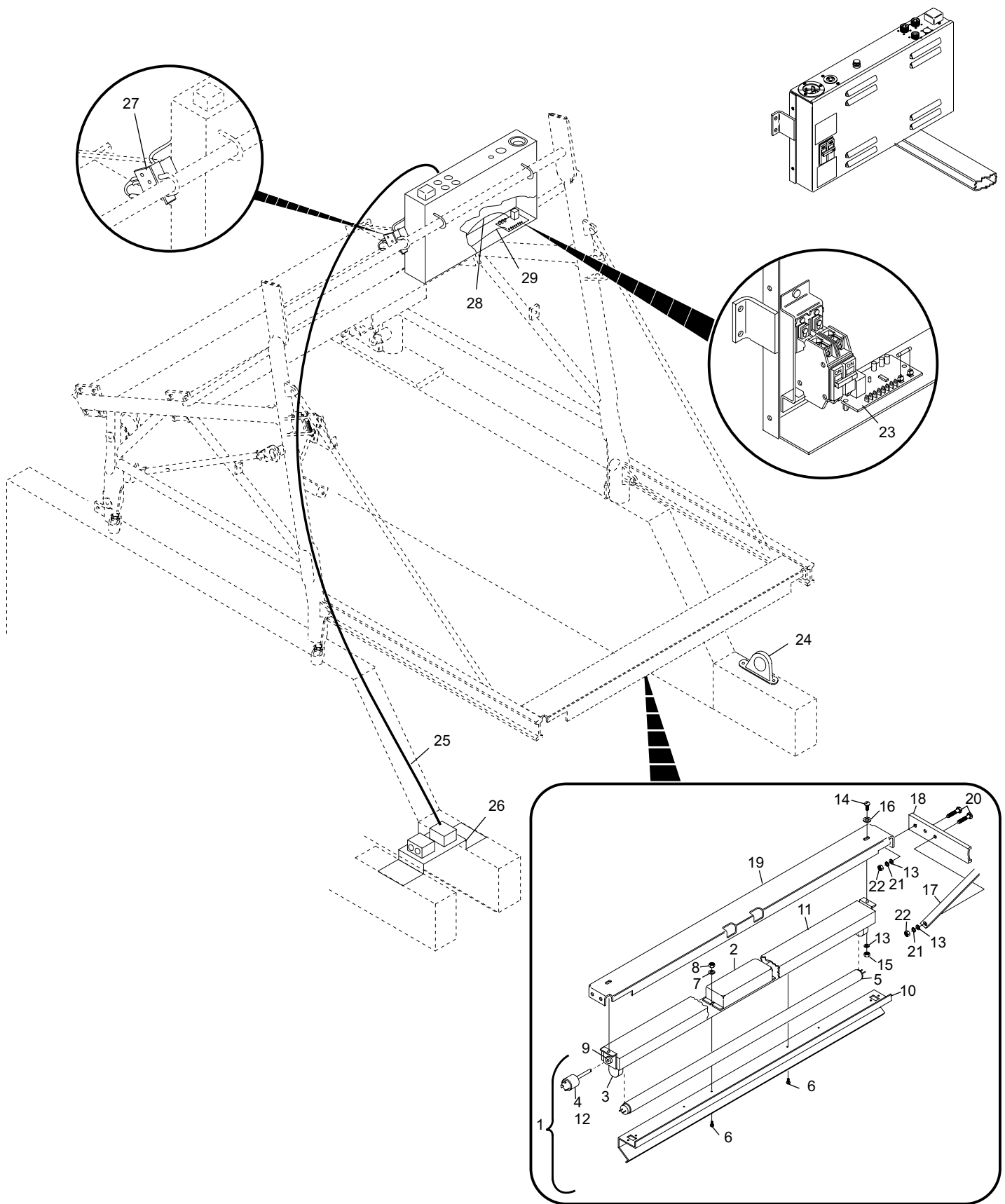
**Section M**

**Electrical**

**Index**

| <b>No.</b> | <b>Part No.</b> | <b>Description</b>                              |
|------------|-----------------|---|
| 1.         | N.A.            | Pin Light Fixture Assembly - See Note           |
| 2.         | 12-750994-000   | Ballast (115 Volt)                              |
| 3.         | N.A.            | Lamp Holder                                     |
| 4.         | 12-750983-0     | 00 Cord Assembly                                |
| 5.         | 12-750992-000   | 40 Watt Pin Lamp (48" T-12)                     |
| 6.         | 11-012563-001   | Pan Head Socket Cap Screw & External Lockwasher |
| 7.         | 11-190004-001   | Flat Washer (#8)                                |
| 8.         | 11-125003-001   | Hex Nut (#8-32)                                 |
| 9.         | 11-611011-000   | Large Strain Relief Bushing                     |
| 10.        | 12-750986-000   | Pin Light Reflector                             |
| 11.        | 12-750985-000   | Channel Assembly                                |
| 12.        | N.A.            | Twist Lock Cap                                  |
| 13.        | 11-195014-001   | Lockwasher (1/4)                                |
| 14.        | 11-107148-001   | Machine Screw-R.H. (1/4-20 x 3/4")              |
| 15.        | 11-125007-001   | Hex Nut (1/4-20)                                |
| 16.        | 11-190010-001   | Flat Washer (1/4)                               |
| 17.        | 12-750255-000   | Link  |
| 18.        | 12-750798-000   | Brace   |
| 19.        | 12-750799-000   | Pin Light Support                               |
| 20.        | 11-001346-001   | Hex Head Cap Screw (3/8-16 x 1-1/4")            |
| 21.        | 11-195016-001   | Lockwasher (3/8)                                |
| 22.        | 11-125104-001   | Hex Nut (3/8-16)                                |
| 23.        | 12-862918-400   | Universal Trigger PC Board Assembly             |
| 24.        | 17-600702-000   | Dual Reflector Assembly                         |
| 25.        | 12-752402-000   | Ball Detect Cable Assembly                      |
| 26.        | N.A.            | Ball Detect Assembly                            |
|            | 57-214904-000   | Photo Cell & Cable Assembly                     |
| 27.        | 12-752396-000   | Rake Down Switch                                |
| 28.        | 12-752403-000   | Scorer Wire Harness Assembly                    |
| 29.        | 12-752401-000   | Safety Lockout Harness                          |

**NOTE:** Use A2 Dual Lamp for assembly P/N 12-862920-000

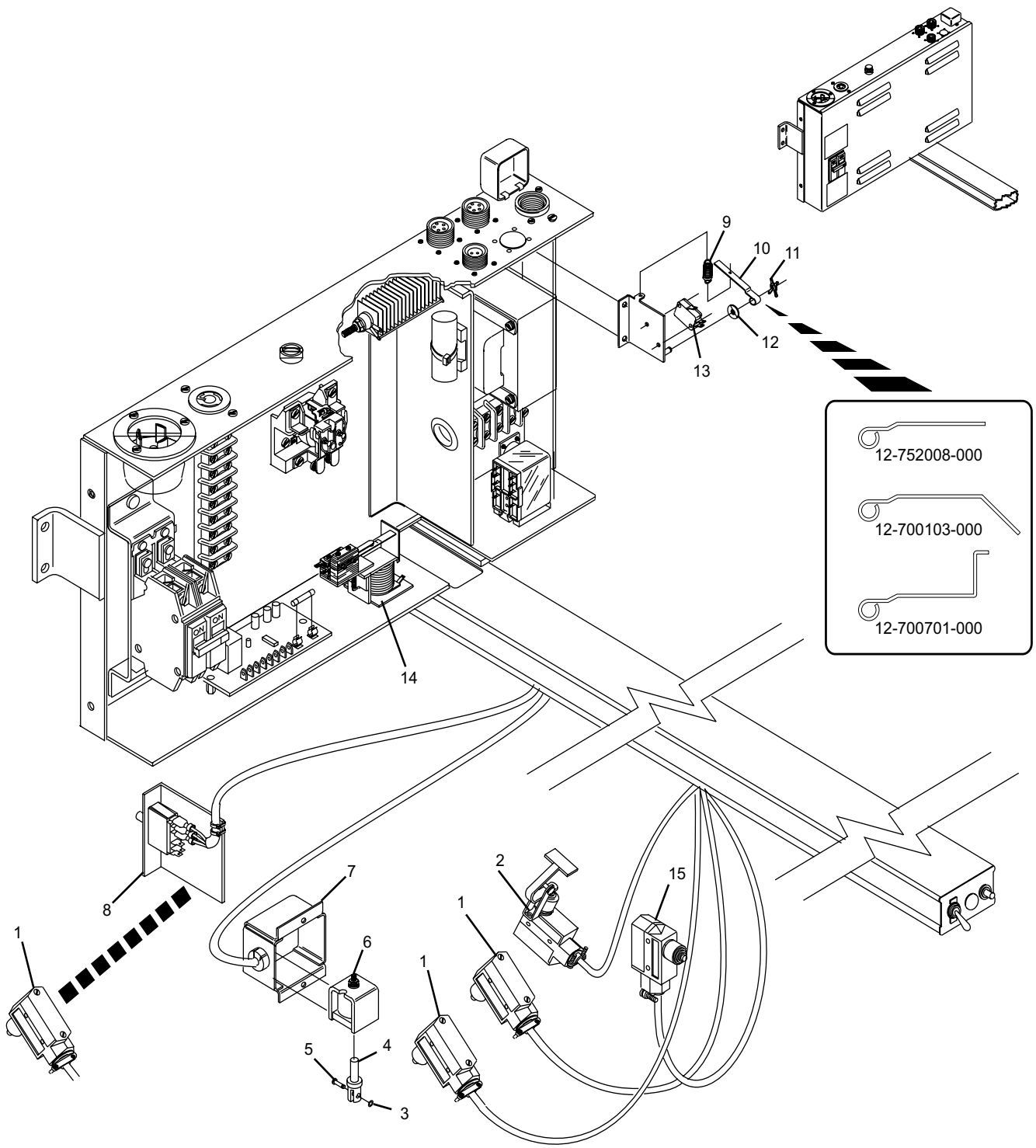


## Electrical Assembly

**Index**

| <b>No.</b> | <b>Part No.</b> | <b>Description</b>                                |
|------------|-----------------|---|
| 1.         | 12-860563-000   | Microswitch Assembly                              |
|            | 11-615052-000   | Micro Switch                                      |
| 2.         | 12-860205-000   | Switch Assembly                                   |
|            | 11-615053-000   | Micro Switch                                      |
| 3.         | 11-625538-000   | O-Ring  |
| 4.         | 10-688003-003   | Solenoid Plunger                                  |
| 5.         | 10-229451-000   | O-Ring Pin  |
| 6.         | 10-688003-000   | Solenoid, Guardian Type, 208-230V, 60HZ, See Note |
|            | 10-688009-000   | Solenoid (115V)                                   |
| 7.         | 12-102020-000   | Cover   |
| 8.         | 11-674995-000   | Push Button Switch                                |
| 9.         | 12-752005-000   | Spring  |
| 10.        | 12-752008-000   | Lever   |
|            | 12-700103-000   | Lever   |
|            | 12-700101-000   | Lever   |
| 11.        | 11-230001-001   | X-Washer (1/8)                                    |
| 12.        | 11-190010-001   | Flat Washer (1/4)                                 |
| 13.        | 11-616013-000   | Switch (#V3-101-D8)                               |
| 14.        | 12-862827-000   | Motor Start Relay, 3 pole                         |
|            | 12-862829-000   | Motor Start Relay, 2 pole                         |
|            | 12-860206-000   | Switch Shipping Assembly                          |

**NOTE:** Use 10-688006-000 for Deltrol



## Electrical Control Box

**Index**

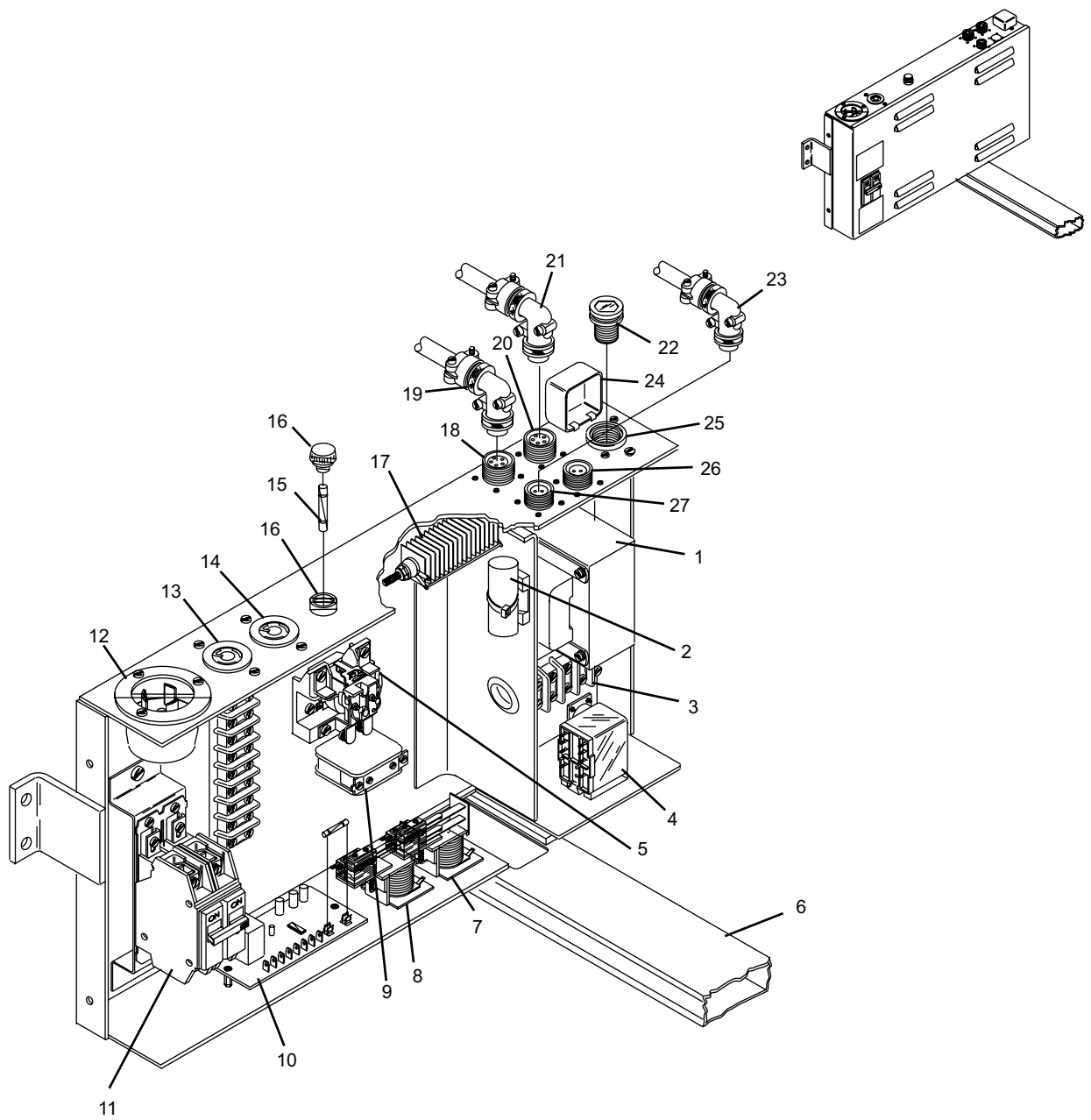
| <b>No.</b> | <b>Part No.</b> | <b>Description</b>   |
|------------|-----------------|--|
| 1.         | 12-862165-000   | Transformer, See Note 1  |
|            | 11-696107-000   | Capacitor (.50 UF)   |
| 2.         | 10-700202-000   | Terminal Strip   |
| 3.         | 11-672518-000   | Relay  |
| 4.         | 12-862111-000   | Motor Contactor  |
| 5.         | 12-860621-000   | Contractor - Relay Kit   |
|            | N.A.            | Electrical Box, complete   |
| 6.         | 12-862827-000   | Motor Start Relay, 3 pole  |
| 7.         | 12-862829-000   | Motor Start Relay, 2 pole  |
|            | 12-862828-000   | Relay  |
| 8.         | 10-679151-000   | Motor Overload Relay   |
| 9.         | 10-679157-000   | Heater - 4.65 amp  |
|            | 10-679158-000   | Heater - 5.13 amp  |
|            | 10-679159-000   | Heater - 5.69 amp  |
|            | 10-679160-000   | Heater - 6.32 amp  |
|            | 10-679161-000   | Heater - 6.99 amp  |
|            | 10-679163-000   | Heater - 8.37 amp  |
|            | 10-679164-000   | Heater - 9.13 amp  |
|            | 10-679165-000   | Heater - 9.96 amp  |
|            | 10-679166-000   | Heater - 10.8 amp  |
|            | 10-679167-000   | Heater - 11.7 amp  |
|            | 10-679168-000   | Heater - 12.9 amp  |
|            | 10-679169-000   | Heater - 14.1 amp  |
|            | 10-679170-000   | Heater - 15.4 amp  |
|            | 10-679171-000   | Heater - 16.9 amp  |
|            | 12-750173-000   | Heater Element   |
|            | N.A.            | Overload Heater Element (Allen Bradley #N33), 12.9 amp, 115 volt |
|            | N.A.            | Overload Heater Element (Federal Pacific), 12.6 amp, 115 volt    |
|            | N.A.            | Overload heater Element (Allen Bradley #N26), 6.37 amp, 208 volt |
|            | N.A.            | Overload Heater Element (Allen Bradley #N26), 7.01 amp, 208 volt |
|            | N.A.            | Overload Heater Element (Federal Pacific), 7.1 amp, 230 volt     |
|            | N.A.            | Overload Heater Element (Allen Bradley #N25), 5.8 amp, 220 volt  |
|            | N.A.            | Overload Heater Element (Federal Pacific), 6.3 amp, 208 volt     |
|            | N.A.            | Overload Heater Element (Federal Pacific), 14.2 amp, 115 volt    |
|            | N.A.            | Overload Heater Element (Federal Pacific), 8.0 amp, 230 volt     |
|            | 12-862890-000   | Time Delay Module (Solid State)                                  |
| 10.        | 12-860627-000   | Circuit Breaker & Bracket  |
| 11.        | N.A.            | Circuit Breaker, See Note 2                                      |
|            | 11-679202-000   | Connector Body   |
| 12.        | 11-679306-000   | Twist Lock Receptacle  |
|            | 11-678001-000   | Electrical Cap (230 Volt)  |
| 13.        | 11-679303-000   | Twist Lock Receptacle  |
|            | 11-679307-000   | Twist Lock Receptacle - Hubbell 7586                             |
|            | 11-678001-000   | Electrical Cap (230 Volt)  |
| 14.        | 11-679307-000   | Twist Lock Receptacle - Hubbell 7586                             |
|            | 11-684104-000   | Fuse, 1 amp  |
| 15.        | 11-685017-000   | Fuse, 3 amp  |
|            | 11-685127-000   | Fuse Holder  |
| 16.        | 12-750079-000   | Selenium Rectifier   |
| 17.        | 12-750031-000   | Box Mounting Receptacle  |
| 18.        | N.A.            | 90 degree angle plug   |
| 19.        | 12-750032-000   | Box Mounting Receptacle  |
| 20.        | 11-623001-000   | 90 Degree Angle Plug   |
| 21.        | 12-750180-000   | Fustat   |
| 22.        | 11-623005-000   | 90 Degree Angle Plug   |
| 23.        | 12-750181-000   | Fuse Cover   |
| 24.        | 12-750179-000   | Fuse Receptacle  |
| 25.        | 12-750198-000   | Signal System Receptacle   |
| 26.        | 12-750033-000   | Box Mounting Receptacle  |
| 27.        |                 |  |

N.A. = No Longer Available

NOTE 1: Order 12-862164-000 for A/A2 Pinsetters

NOTE 2: Order 12-860627-000 Circuit Breaker Assembly

## Electrical Control Box



## Electrical Control Box